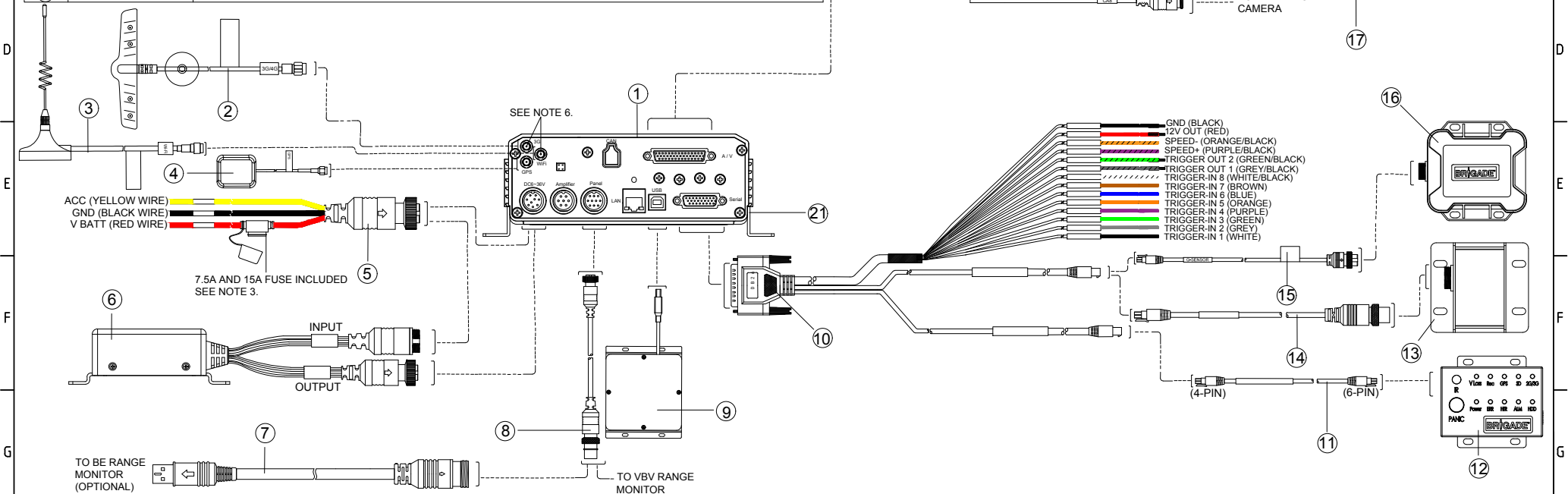


ITEM	PART NUMBER	MODEL/DESCRIPTION
①	4869/4942/4943/4944	MDR-408xx-1000/8 CHANNEL MOBILE DIGITAL RECORDER WITH 1TB HDD, GPS, 64GB SD CARD, 3G (OPTIONAL) AND WI-FI (OPTIONAL)
②	4989	MDR-ANT-3G-01/MDR 400 SERIES 3G ANTENNA
③	4990	MDR-ANT-WI-FI-01/MDR 400 SERIES WI-FI ANTENNA
④	4883	MDR-ANT-GPS-01/MDR 400 SERIES GPS ANTENNA
⑤	4878	MDR-400-PC/MDR 400 SERIES 9-PIN POWER CABLE
⑥	4870	MDR-UPS-01/MDR 400 SERIES UNINTERRUPTED POWER SUPPLY (OPTIONAL)
⑦	2590	AC-020/ADAPTER CABLE (OPTIONAL)
⑧	4879	MDR-400-VOC/MDR 400 SERIES 10 TO 4 PIN VIDEO OUTPUT CABLE
⑨	4896	MDR-400-FPB-32/FIREPROOF BOX WITH 32GB SD CARD (OPTIONAL)
⑩	4882	MDR-408-TRIG/MDR 408 26-PIN TRIGGER AND 485 CABLE LOOM
⑪	4873	MDR-06RPC/MDR 400 SERIES, 6M CABLE FOR REMOTE STATUS AND INTERFACE PANEL (OPTIONAL)
⑫	4872	MDR-RP-01/MDR 400 SERIES REMOTE STATUS AND INTERFACE PANEL (OPTIONAL)
⑬	4871	MDR-400-GS01/MDR 400 SERIES EXTERNAL G-SENSOR (OPTIONAL)
⑭	4874	MDR-03GSC/MDR 400 SERIES, 3M CABLE FOR EXTERNAL G-SENSOR (OPTIONAL)
⑮	5013	MDR-02GSC-02/MDR 400 SERIES, 2M CABLE FOR SECOND GENERATION EXTERNAL G-SENSOR (OPTIONAL)
⑯	4988	MDR-GS-02/MDR 400 SERIES SECOND GENERATION EXTERNAL G-SENSOR (OPTIONAL)
⑰	2094	AC-014/ADAPTER CABLE (OPTIONAL)
⑱	4905	AC-307/ADAPTER CABLE (OPTIONAL)
⑲	4904	AC-306/ADAPTER CABLE (OPTIONAL)
⑳	4880	MDR-408-VIC/MDR 408 VIDEO INPUT CABLE LOOM
㉑	4892	MDR-400-BKT/BRACKET

Revision Notes.				
R1 - UPDATED MODEL NUMBERS AS PER CR-420, RELEASED VIA (ECR CR-A424)				
APA: -	Drawn: L. PILLAY	Checked: M. BUTLER	Approved: D. WALLIN	Date: 12/10/2016



- NOTES:
- FOR COMPONENT DETAIL, REFER TO INDIVIDUAL COMPONENT DRAWINGS.
 - PLEASE REFER TO INSTALLATION GUIDE FOR CORRECT SETUP, CONFIGURATION AND INSTALLATION.
 - A 7.5 A FUSE SHOULD BE USED FOR 24V AND 15A USED FOR 12V.
 - ANY CUSTOMER MODIFICATION OF THIS PRODUCT CAUSING SUBSEQUENT FAILURE IS NOT A LIABILITY OF BRIGADE ELECTRONICS GROUP PLC.
 - AC-306 AND AC-307 REQUIRED PER CAMERA WHICH CAN BE VIEWED AND RECORDED SIMULTANEOUSLY.
 - 3G AND WIFI CAPABILITIES DEPEND ON MODEL AND AVAILABILITY.

PROPRIETARY NOTICE
 THIS DESIGN AND TECHNICAL INFORMATION APPEARING ON THIS DRAWING IS THE PROPERTY OF BRIGADE ELECTRONICS, AND IS DISCLOSED IN CONFIDENCE. IT IS NOT TO BE COPIED, REPRODUCED, REVEALED TO OR EXPROPRIATED BY OTHERS, EITHER IN WHOLE OR IN PART WITHOUT THE EXPRESS WRITTEN CONSENT OF BRIGADE ELECTRONICS.



Assembly Pt Approval N/A	Approved by B.JOHN	Checked by R.PENTLEY	Released 11/02/16	Drawn by L.PILLAY	Assembly Ref N/A
Angle of Projection 	Units mm	Scale N/A	Status RELEASED	Part No N/A	MDR-408xx-1000-GENERIC
					BE-003303-01-16